

# Faxes

QUALITY MACHINES MADE IN SWEDEN  
SINCE 1910



[www.faxes.se](http://www.faxes.se)



330 26 BURSERYD TEL +46 (0)371-500 08 FAX +46(0)371-50048

# COMPANY PRESENTATION

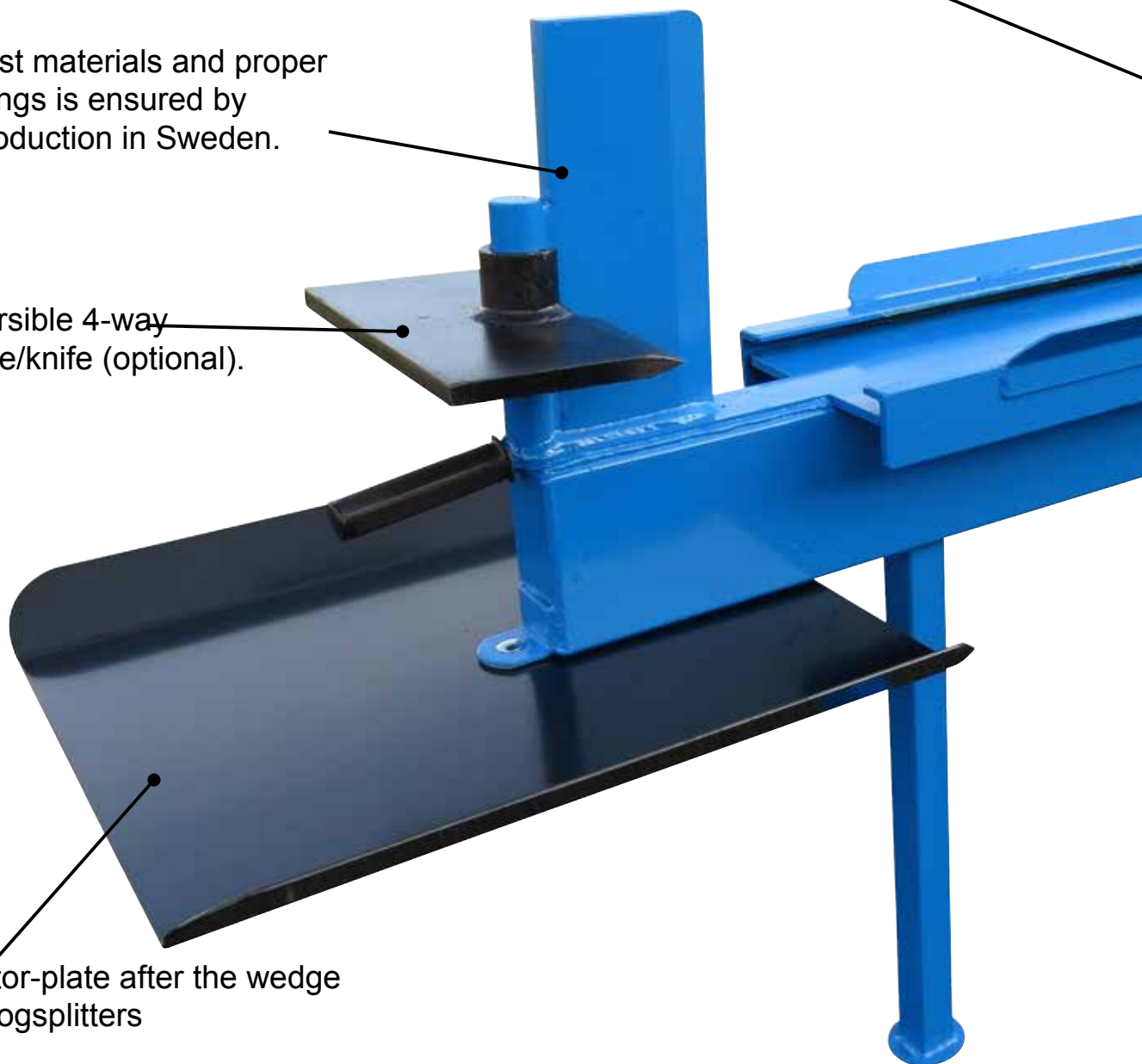
Faxes Fabriks AB is a family owned business, established 1910. The production of firewoodmachines is now in the third generation. All production and development is done in Burseryd, småland in the southwest of Sweden. This gurantees high quality and ease of use of all our machines.

Completely tested and verified and ready to be used!

Robust materials and proper weldings is ensured by all production in Sweden.

Reversible 4-way wedge/knife (optional).

Collector-plate after the wedge on all logsplitters

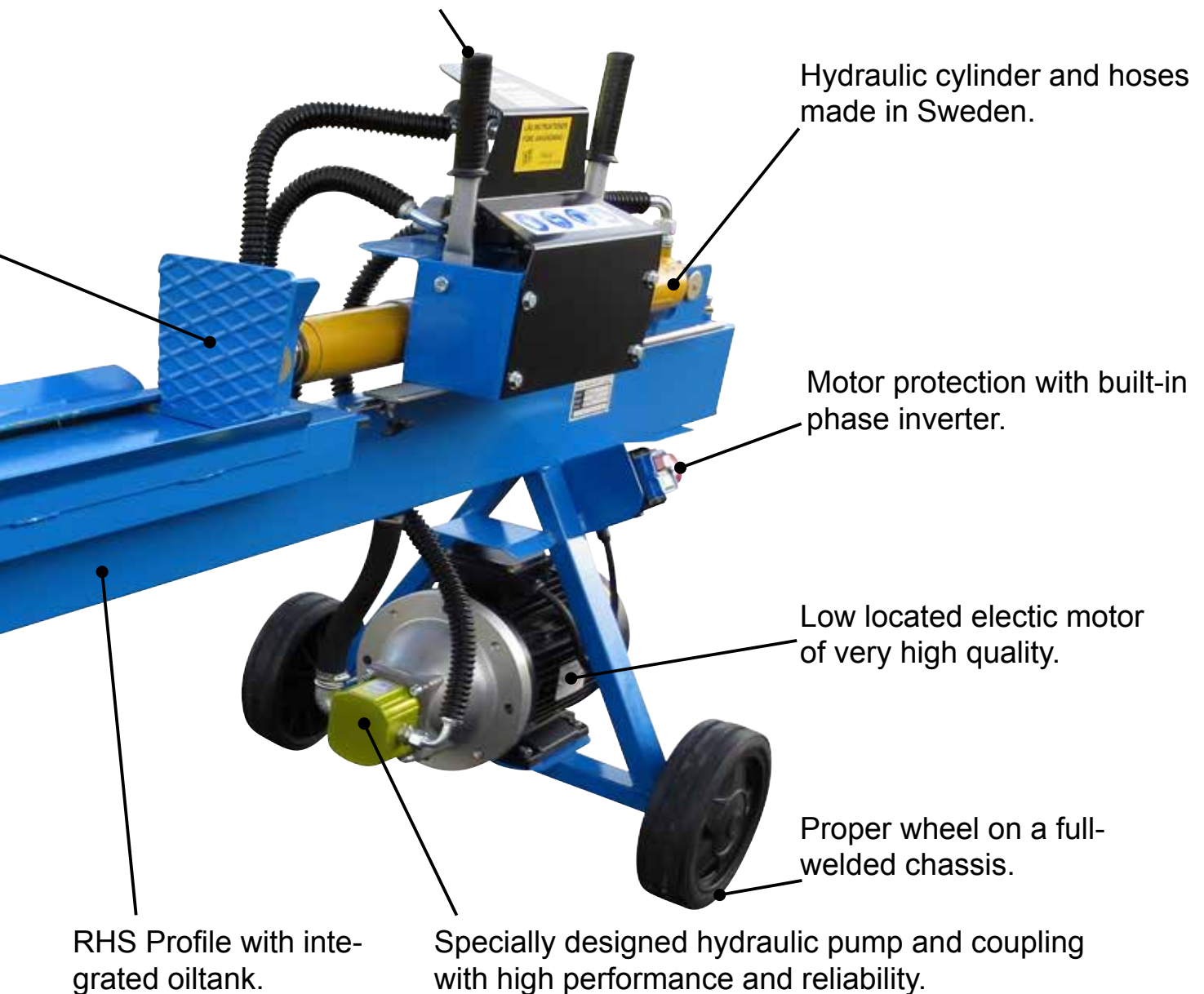


# CONSTRUCTED FOR LONGTERM USE

There are many reasons why our machines are so popular in the small scale woodhandling.

Some reasons we can tell you, some are a secret among our customers. Below some features of the logsplitter ELH-700.

Twohand controlled with ergonomic levers.



# ELECTRIC HYDRAULIC LOGSPLITTER

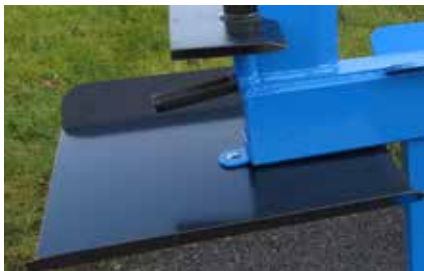
All electrohydraulic logsplitters are delivered ready for use with motor protection, collector plate after the wedge and transport wheels. An optional reversible 4-way knife is available for more efficient work.

## LOGSPLITTER ELH-500

A reliable workhorse that splits all types of wood up to 500 mm. Bestselling logsplitter in Sweden!



ELH-500	
Max woodlength	500 mm
Time forward	4 sek
Time return	1,5 sek
Knifeheight	290 mm
Length/width	1500/700 mm
Workposition	700 mm
Weight	115 kg
Electric motor	3kW/3phase
Pump	11 cc
Pressure power	7 ton



Collector plate



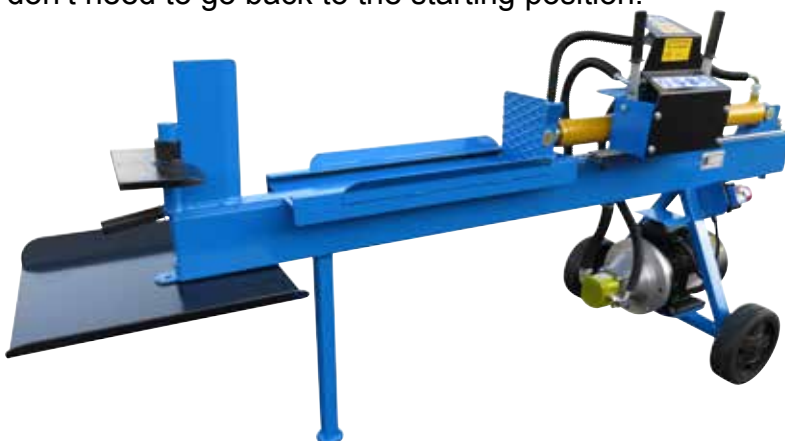
Ergonomic levers



Motor protection with phaseinverter  
3-phase 400 V

## LOGSPLITTER ELH-700

Even stronger design than the ELH-500. The cylinder and pressure plate are moving along robust guides. Steplessly adjustable stroke of the hydraulic cylinder. This makes it possible to split shorter pieces more efficient, because the cylinder don't need to go back to the starting position.



ELH-700	
Max woodlength	700 mm
Time forward	5 sek
Time return	2 sek
Knifeheight	290 mm
Length/width	2000/700 mm
Workposition	700 mm
Weight	135 kg
Electric motor	4kW/3phase
Pump	14 cc
Pressure power	7 ton



Components of highest quality



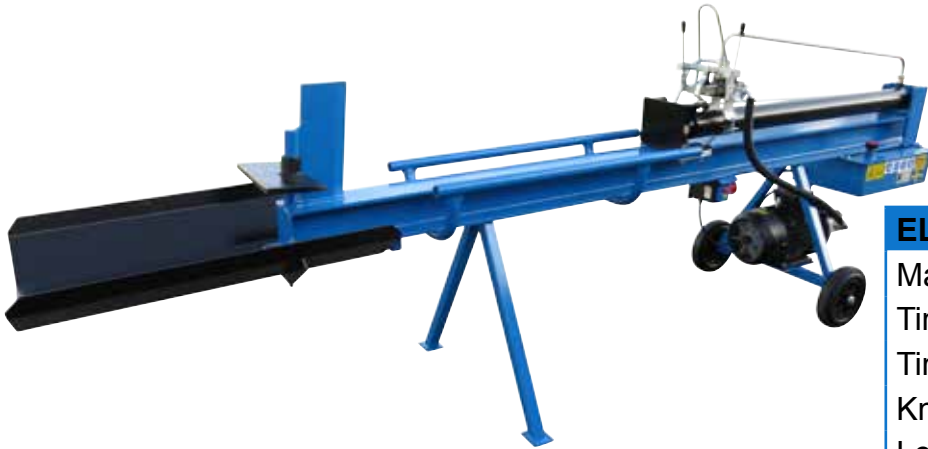
Guides for the pressure plate ELH-700



Ribbed pressure plate ELH-700

## LOGSPLITTER ELH-1100

Aimed for long woodpieces up to 1100 mm. The cylinder and pressure plate are moving along robust guides. The model is also equipped with an stepless adjustable stroke of the cylinder. The oiltank is placed separately at the rear of the machine.



Collector plate ELH1100



Separat oiltank at the rear ELH1100

ELH-1100	
Max woodlength	1100 mm
Time forward	9 sek
Time return	4 sek
Knifeheight	290 mm
Length/width	2750/700 mm
Workposition	700 mm
Weight	240 kg
Electric motor	4kW/3phase
Pump	14 cc
Pressure power	10 ton

## TRACTORDRIVEN LOGSPLITTER TRH-1100

For connection to the tractor's hydraulic system. Steplessly adjustable stroke of the hydraulic cylinder. Comes complete with hydraulic hoses, couplings, three point linkage and collector-plate

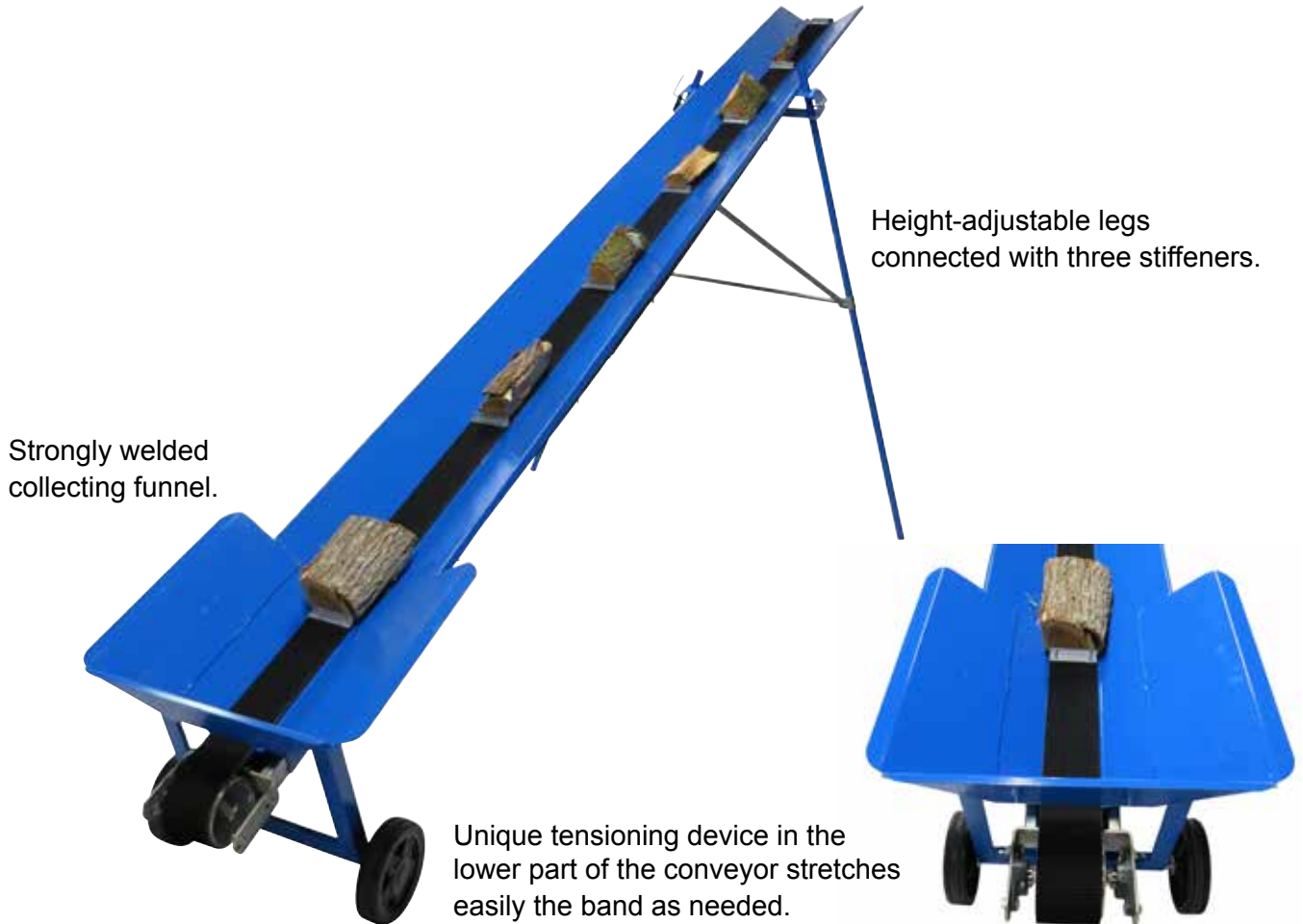


TRH-1100	
Max woodlenth	1100 mm
Time forward	9 sek
Time return	4 sek
Kniveheight	290 mm
Length/width	2750/700 mm
Workposition	700 mm
Weight	205 kg
Pressure power	10 ton

# LOGCONVEYORS

**BANDWIDTH 100 MM**

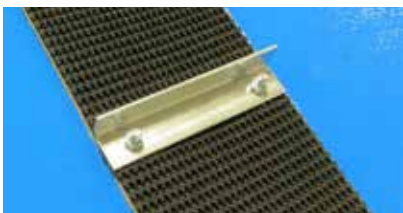
Popular conveyor that simplifies the work with the firewood. The conveyor is made of 2 mm bent sheet metal with stiffening profile underneath. The traction is done via a wormgear supplied electric motor placed in the upper part, which ensures a smooth and slip-free traction. The conveyors are built in 2,5m sections bolted together with strong braces.



Strongly welded collecting funnel.

Height-adjustable legs connected with three stiffeners.

Unique tensioning device in the lower part of the conveyor stretches easily the band as needed.



High quality ribbed rubber with double layers of fabric. Joined with our powerful belt-clip.



Wormgear equipped electric motor in the upper part

CONVEYOR BANDWIDTH 100 MM		
Length	5,0 m	7,5 m
Support legs	2 pc.	4 pc.
Bandwidth	100 mm	100 mm
Flanges height	25 mm	25 mm
Throw out height	1000-2500 mm	1000-2500 mm
Throw in height	560 mm	560 mm
Speed of band	0,6 m/s	0,6 m/s
Electric motor	0,37 kW	0,37 kW
Wormgear ratio	1:15	1:15
Torque	45 Nm	45 Nm
Weight	75 kg	95 kg

- The conveyors are also available with hydraulic motor
- Special lengths are manufactured on request

## BANDWIDTH 200 MM

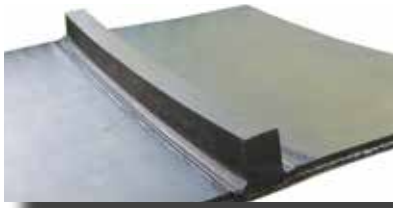
Wider and stronger conveyor with greater transport capacity. Low throw in height and conveyor-belt with vulcanized flanges. Traction is done via wormgear supplied electric motor placed in the upper part, which ensures smooth and slip-free traction. Two bearings in both ends. Comes standard with wheels on support legs, but is also available with wheels at the bottom.



Height-adjustable legs connected with three stiffeners.



Unique tensioning device in the lower part of the conveyor stretches easily the band as needed.



Conveyor belts of high quality rubber with double layers of fabric and vulcanized flanges



The belt is joined with our powerful belt-clip.

### CONVEYOR BANDWIDTH 200 MM

Length	5,0 m	7,5 m
Support legs	2 st	4 st
Bandwidth	200 mm	200 mm
Flanges height	25 mm	25 mm
Throw out height	1000-2500 mm	1000-2500 mm
Throw in height	310 mm	310 mm
Speed of band	0,6 m/s	0,6 m/s
Electric motor	0,37 kW	0,37 kW
Wormgear ratio	1:15	1:15
Torque	45 Nm	45 Nm
Weight	90 kg	115 kg

- The conveyors are also available with hydraulic motor
- Special lengths are manufactured on request

# LOGCUTTER

## LOGCUTTER

Very stable and reliable cutter that ensures an efficient and safe wood handling. One of few logcutters on the Swedish market with a proper structure. The power transmission from the electric motor to the sawblade is made through two v-belts and a bearing supported transmission axle. The electric motor has a low placement to get a low center of gravity and a stable construction. This provides a superior cutting performance and reliability.



### LOGCUTTER

Logtable length	1800 mm
Indicator length	200-750 mm
Sawblade diam.	700 mm
Electric motor	4 kW/3Phase 400 V
Transmission axle	35 mm
V-belts	2 pc.
Width	750 mm
Height	750 mm
Weight	115 kg

Stopping device that stops the sawblade and switch the electrical power off.

Logtable with support rollers that can withstand heavy logs.



Strong protection around the sawblade and length indicator for the desired cutting length.

V-belts and transmission shaft supported by double bearings, provides smooth and reliable operation.

We always have spare parts for all products in stock.

**Faxes FABRIKS AB**

330 26 BURSERYD, TEL +46(0)371-50008, FAX +46(0)371-50048